

GENERAL NOTES

TYPICAL ALL EXTERIOR ELEVATIONS
 FIBER & PAINT: * ALL METAL FLASHING GUTTERS &
 DOWNSPOUTS (COLOR 1)

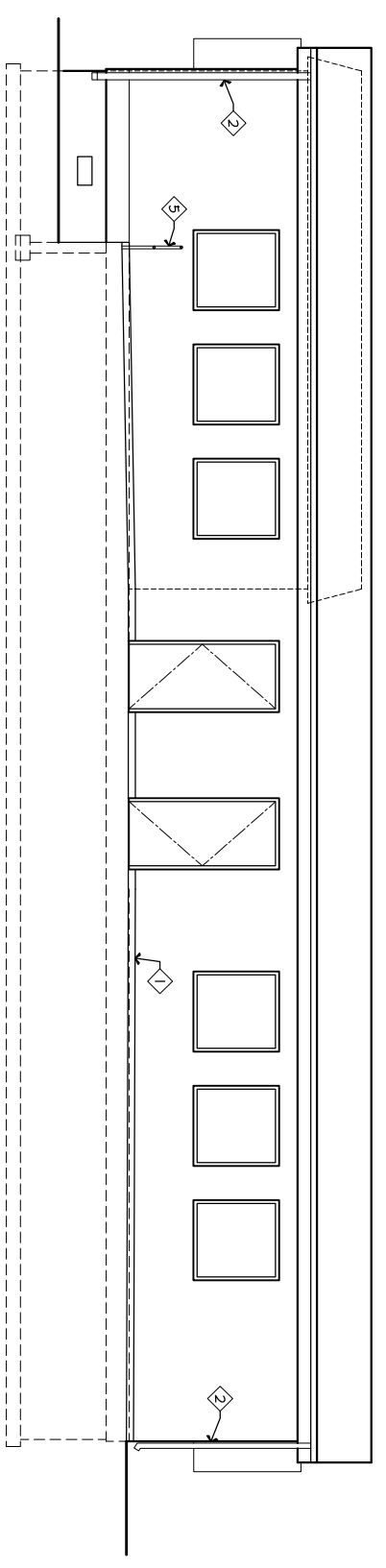
- * ALL WOOD TRIM & FASCIAS (COLOR 1)
- * WOOD SPRINGS & SOFFITS (COLOR 2)
- * HOLLOW METAL DOORS & FRAMES (COLOR 1)

ALL RIGHTS RESERVED
 No portion of this work
 may be reproduced,
 stored in a retrieval
 system, or transmitted
 in any form or by any
 means, electronic,
 mechanical, photocopying,
 recording, or by any
 information storage and
 retrieval system, without
 the prior written
 permission of
 ARCHITECTS WEST INC.
 and subject to criminal
 prosecution.
 6/3/05

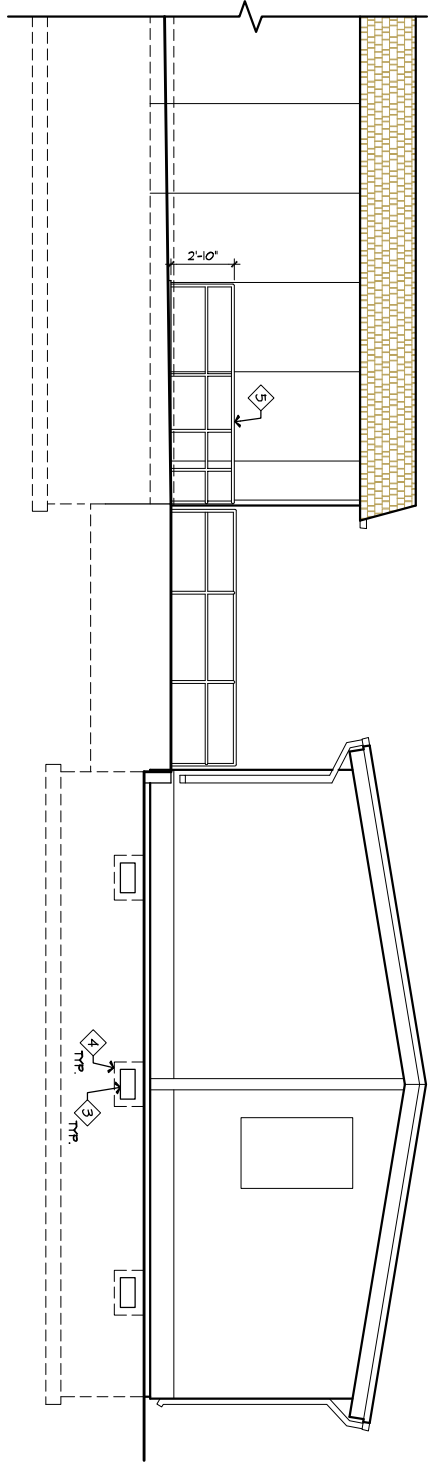


KEYED NOTES

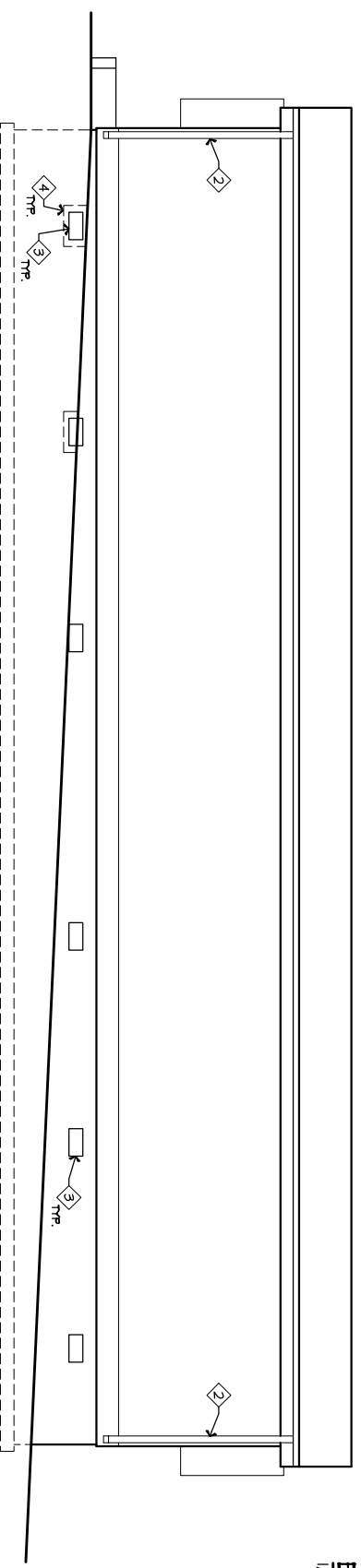
- 1 PROVIDE NEW METAL FLASHING & COUNTER FLASHING
- 2 REMOVE & REPLACE (E) DOWN SPOUT W/ NEW
- 3 PROVIDE 8"x6" CRANK SPACE VENTS AT LOCATION SEE PLAN
- 4 PROVIDE REFRIGERATED AREA WELL AT LOCATIONS WHERE VENTS ARE INDICATED
- 5 HANDRAIL, SEE 5 SERIES SHEETS FOR INFORMATION



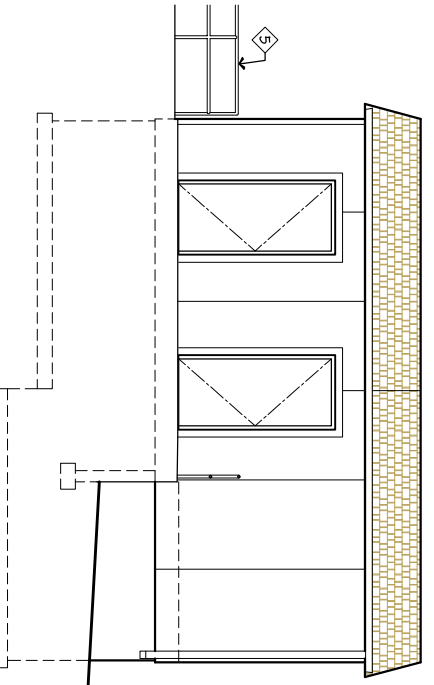
SOUTH EXTERIOR ELEVATION
 1/4" = 1'-0"



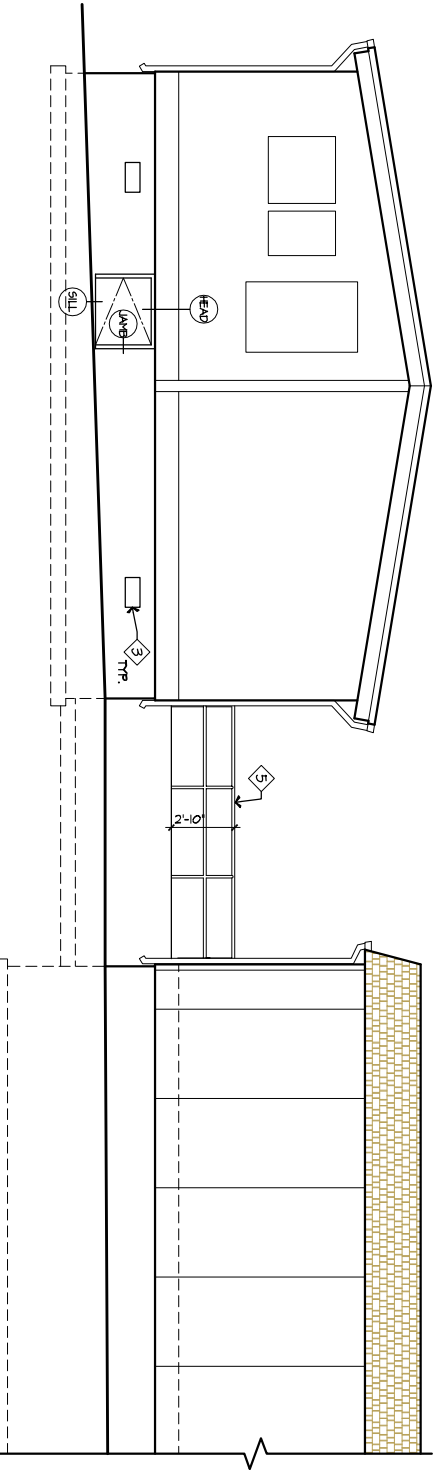
EAST EXTERIOR ELEVATION
 1/4" = 1'-0"



NORTH EXTERIOR ELEVATION
 1/4" = 1'-0"



EAST EXTERIOR ELEVATION OF EXISTG.
 1/4" = 1'-0"



WEST EXTERIOR ELEVATION
 1/4" = 1'-0"

EXTERIOR ELEVATION

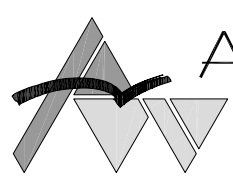
SCALE: 1/4" = 1'-0"

PORTABLE CLASSROOM FOUNDATIONS
CENTRAL VALLEY SCHOOL DISTRICT # 356
SPOKANE VALLEY, WASHINGTON
GREENACRES- EXTERIOR ELEVS / SECTION DETAILS

MECHANICAL
L & S ENGINEERING
 W. 216 PACIFIC, STE. 211 (509) 747-2179
 SPOKANE, WA. 99201

ELECTRICAL
L & S ENGINEERING
 W. 216 PACIFIC, STE. 211 (509) 747-2179
 SPOKANE, WA. 99201

STRUCTURAL
ATWOOD / HINZMAN
 E. 1819 SPRINGFIELD (509) 535-0138
 SPOKANE, WA. 99202



Architects West inc.
 210 East Lakeside Avenue
 Coeur d'Alene, Idaho 83814-2833
 Phone: (208) 667-9402
 Fax: (208) 667-6103
 Email: awinc@architectswest.com

PROJECT NO. 0520.02
 DESIGNED BY G.J.
 DRAWN BY R.R.
 DATE 06-03-05
 CHECKED BY
 REVISION
 SHEET NO. **A33**